



**PepperBall**<sup>®</sup>  
SAFER OPTIONS

FULL TACTICAL CARBINE

**FTC**<sup>™</sup>

---

**User Manual**

---

PEPPERBALL.COM



FULL TACTICAL CARBINE

# FTC™

**WARNINGS & SAFETY** ..... PAGE 3

**INCLUDED PARTS AND TOOLS**..... PAGE 6

**OPERATIONAL INSTRUCTIONS OVERVIEW**..... PAGE 7

**GETTING STARTED** ..... PAGE 8

**BOTTLE & HOPPER INSTALLATION**..... PAGE 9

**UNLOADING THE LAUNCHER** .....PAGE 10

**CLEANING AND MAINTENANCE** .....PAGE 11

**WARRANTY & REPAIRS**.....PAGE 12

**RETURN POLICY**.....PAGE 13

## WARNING

**THIS LAUNCHER IS NOT A TOY AND IS INTENDED FOR USE BY MILITARY, LAW ENFORCEMENT, CORRECTIONAL OFFICERS, PRIVATE SECURITY GUARDS, BAIL ENFORCEMENT AGENTS AND OTHER AUTHORIZED PERSONNEL. THIS PRODUCT LAUNCHES PROJECTILES FROM THE BARREL. MISUSE MAY CAUSE SERIOUS INJURY OR DEATH. ALWAYS MAKE SURE THAT THE TRIGGER SAFETY IS IN THE "SAFE MODE," EXCEPT WHEN THE LAUNCHER IS IN USE. SEE ADDITIONAL SAFETY GUIDELINES AND USER INSTRUCTIONS IN THIS MANUAL. KEEP OUT OF THE REACH OF CHILDREN.**

## WARNINGS AND SAFETY

### Congratulations on your purchase of the PepperBall FTC™ Launcher.

This launcher has been designed and manufactured by United Tactical Systems, LLC (UTS) to be reliable, accurate and durable. When properly handled, the FTC™ will give many years of dependable service. Please take the time to read through this manual and become familiar with the FTC™ parts, operation, maintenance, and safety precautions before you attempt to load or fire this launcher. This manual is a supplement to the recommended PepperBall® training and should be used as a reference when performing maintenance or annual re-qualification.

By purchasing this launcher, you and your agency assume total responsibility for its safe and lawful use. You must observe the same safety precautions as you would with any firearm to ensure the safety of not only yourself, but everyone around you. The operator should use caution at all times when maintaining and firing this launcher.

### LIMITATIONS AND USAGE

There are some state or local limitations on purchase, possession, and use of the FTC™. Verify local legal requirements in your state and city to ensure possession and use are proper. The user assumes the liability from unsafe or improper use or any action which constitutes a violation of any applicable law or regulation.

The FTC™ may be prohibited from certain premises, including government buildings, airports, courthouses, schools, or other public spaces. Possessing a FTC™ in a prohibited area may subject user to criminal liability.

#### **WARNING: If misused, this PepperBall® launcher is a dangerous weapon.**

The user assumes all liability from unsafe handling or any action that constitutes a violation of any applicable laws or regulations. UTS shall not be liable for personal injury, loss of property, or loss of life resulting from the use of this weapon under any circumstances, including any intentional, reckless, negligent or accidental discharges. By using this PepperBall® launcher, you release UTS of any and all liability associated with its use.

All information in this manual is subject to change without notice. UTS reserves the right to make changes and improvements to products without incurring any obligation to incorporate such improvements in products previously sold.

#### **IF YOU DO NOT ACCEPT LIABILITY, DO NOT USE THIS OR ANY PEPPERBALL® LAUNCHER.**

**WARNING: This product contains chemicals known to the State of California to cause cancer and birth defects or other reproductive harm.**

### SAFETY IS YOUR RESPONSIBILITY!

The following safety information contains important warnings related to the proper use of the launcher, projectiles, and gas canisters. Do not load, discharge or otherwise use this launcher until you have completely read this manual and are familiar with its safety features, mechanical operation, and handling characteristics.



## LAUNCHERS

- **Danger:** Never aim or shoot at the head, face, eyes, ears, throat or spine. Impact in these areas could result in unintended severe or permanent injury or death.
- **Danger:** Never look down the barrel of the launcher. Accidental discharge into the eyes may cause permanent injury or death.
- Eye, face and ear protection should be worn when utilizing this system in force-on-force training.
- Handle this launcher as if it were loaded at all times.
- Keep your finger off the trigger until ready to fire.
- Keep this launcher on "Safe Mode" until ready to fire.
- Always keep the barrel pointed down or in a safe direction.
- Never point or discharge your launcher at anything you do not intend to shoot.
- Never discharge your launcher at the personal property of others.
- Do not disassemble this launcher while it is pressurized or attempt to pressurize while it is disassembled.
- Keep exposed skin away from any escaping gas when in use and when installing or removing air supply.
- Use only PepperBall® authorized projectiles in this launcher. The use of any unauthorized projectiles in this launcher will void all warranties.
- Any unauthorized modifications to the function of this launcher will void all warranties.
- If any laser is equipped with this launcher, never point the laser directly at eyes and observe all safety warnings associated with the equipped laser.
- Always verify launcher is in "Safe Mode" and stored in a safe and secure location when not in use.
- USE CAUTION when engaging suspects beyond 20 meters as accuracy is reduced beyond that distance.

## PROJECTILES

### PEPPERBALL LIVE-X™ AND PEPPERBALL LIVE™ PROJECTILES

**WARNING! THIS PRODUCT IS NOT A TOY! KEEP OUT OF THE REACH OF CHILDREN! MAY CAUSE IRRITATION UPON CONTACT OR INHALATION.**

Read projectile label carefully before opening container or using any of its contents. Opening container indicates user has carefully read label in its entirety and accepts its provisions as the terms and conditions under which this product is furnished. THIS PRODUCT IS INTENDED SOLELY for use by properly trained users including military, law enforcement, private security, and corrections personnel.

**IRRITATION:** PAVA projectiles contain pepper powder and may cause irritation upon contact or inhalation.

## SAFETY

**ACTIVE INGREDIENT of PAVA-filled projectiles:** Approximately 0.5% in LIVE projectiles and 5.0% in LIVE X projectiles +/- 0.02% by weight PAVA (with CAPAICIN II) Capsaicinoids 1.0% per A.S.T.A. 21.3

### EXPOSURE:

**Eye Contact:** Flush eyes and other contaminated areas IMMEDIATELY with large amounts of cool water, and expose to fresh air. Contact lenses should be removed by subject or qualified medical personnel and must be discarded.

**Skin Contact:** Wash skin with soap and water to prevent further exposure. Flush skin with large amounts of cool water to minimize irritant effect. Wash contaminated clothing before reuse. DO NOT rub contaminated areas or apply creams, salves, oils, lotions, or burn cream, which can trap irritant on the skin.

**Inhalation:** If breathing is difficult, administer oxygen. If high concentrations are inhaled, immediately remove subject to fresh air. Keep person calm. If not breathing, begin artificial respiration. If breathing difficulty persists, seek medical attention.

**Ingestion:** Although ingestion is unlikely and not considered a potential route of exposure, individual should be treated as having an acute non-specific airway reaction by an appropriate specialist. Do not induce vomiting.

For more details on these products, please refer to the Safety Data Sheets (SDS) listed on [www.pepperball.com](http://www.pepperball.com)

**STORAGE AND DISPOSAL:** Store in areas inaccessible to children. Do not store where temperature may exceed 150°F. Discard safely three (3) years from date of manufacture. PEPPERBALL patented products are protected by one or more of U.S. Patent Numbers 5,965,839; 6,393,992; 6,543,356; 6,546,874; 7,194,960: European Patent Number 1177409; and/or other domestic and foreign patent pending applications. For information, call (877) 887-3773 or go to [www.pepperball.com](http://www.pepperball.com).

### GLASS-SHATTERING PROJECTILES

**WARNING! NOT INTENDED FOR USE ON HUMANS! KEEP OUT OF THE REACH OF CHILDREN!**

Glass-Shattering Projectiles should only be used for breaking automobile side windows or residential windows. These projectiles are NOT recommended to be used as anti-personnel projectiles. Projectiles should NOT be reused. Dispose of all previously launched projectiles. By opening the container and breaking the sealed cap, the agency and the user agree to abide by all manufacturer's recommendations. Discard safely six (6) years from date of manufacture.

## HIGH PRESSURE SYSTEMS

**WARNING--CONTENTS UNDER PRESSURE**

**Do not puncture or incinerate container. Do not expose to heat or store at temperatures above 120°F. Keep out of the reach of children.**

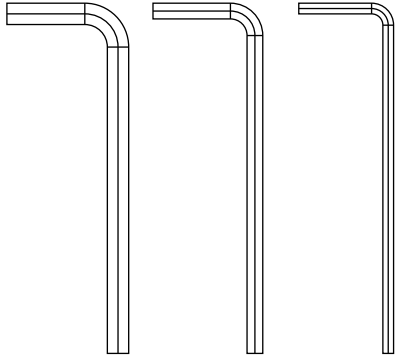


## INCLUDED PARTS & TOOLS

HEX KEYS  
4mm

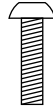
3/32"

1/8"



ASA Screw

Ball Detent



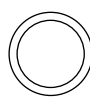
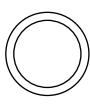
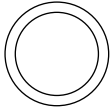
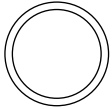
O-RINGS

Barrel Thread Adapter  
O19 N70

Hammer Bumper  
117 N70

Bottle  
O15 U90

Bolt  
O15 N70



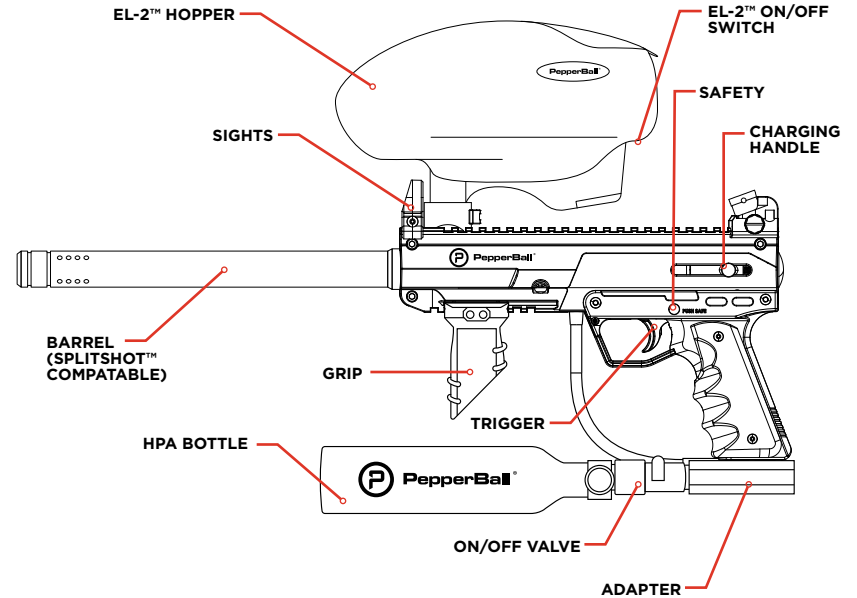
HAMMER SPRING



SQUEEGEE



## OPERATIONAL INSTRUCTIONS OVERVIEW



### FTC™ SPECIFICATIONS

Caliber	.68
Action	Semi-auto
Power	3000 PSI HPA
Length	8.5in/21.6cm (without tank)
Height	13in/33cm
Weight	2.95lbs/1.3kg
Mag Capacity	180 Rounds

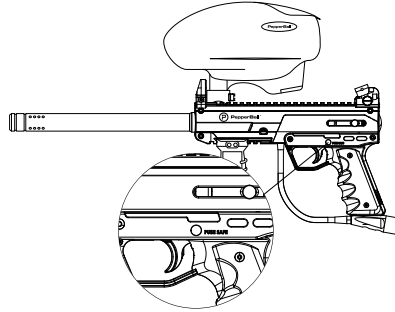


## OPERATIONAL INSTRUCTIONS

### GETTING STARTED

Read this entire manual before using this launcher. Keep your launcher pointed in a safe direction at all times.

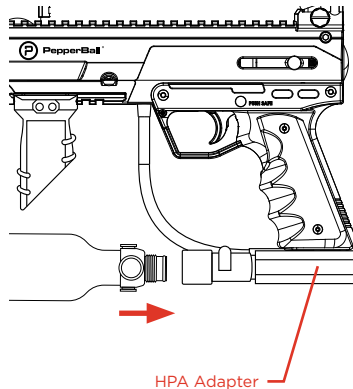
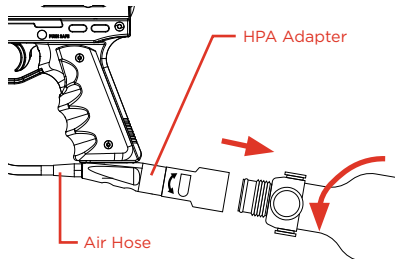
- SAFETY** - Place the FTC™ in "Safe Mode" by pushing the safety button so there is no red visible.



### 2. DUAL POSITION TANK

The FTC comes with both adapters to position the HPA bottle forward or to the rear. To change the orientation of the HPA bottle, the following steps must be completed:

- Ensure the launcher is unloaded and in "Safe Mode".
- Detach the HPA bottle from the HPA adapter.
- Using a 1/8" hex key, unscrew the two hex screws on the bottom of the HPA adapter.
- Use a 7/16" wrench to detach the air hose from the HPA adapter.
- Reattach the air hose to the selected HPA adapter, (teflon tape may be used to guard against any air leaks).
- Before attaching the HPA adapter to the launcher, ensure that the orientation is correct.
- Reattach the HPA adapter to the bottom of the launcher, using the two hex screws.
- Reattach the HPA bottle and test for leaks.

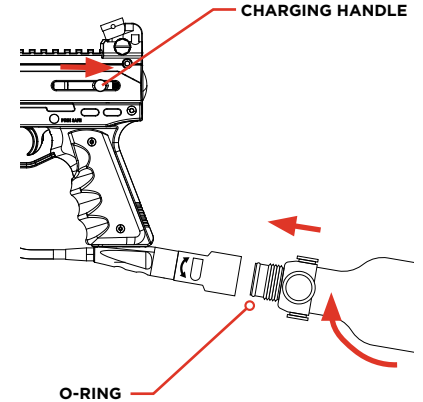


## OPERATIONAL INSTRUCTIONS

### 3. HIGH PRESSURE (HPA) BOTTLE

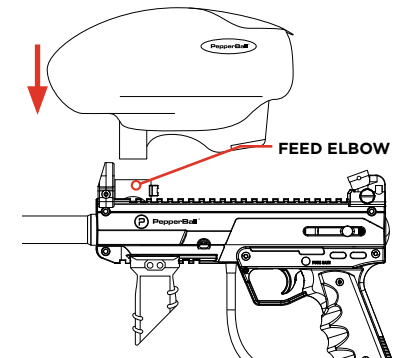
**INSTALLATION** - Do not pressurize a partially assembled launcher. Follow the steps below for forward or rear facing bottle configuration.

- Put trigger safety in "Safe mode".
- Cock the launcher by sliding the bolt handle all the way back until it locks into place. Always keep the launcher in the un-cocked position when air supply is attached to launcher. This will help prevent accidental discharge.
- Lubricate the HPA bottle valve O-ring with PepperBall® supplied lubricant.
- Place the on-off valve lever to the "off" position and insert the HPA bottle into the on-off valve which is already attached to the air supply adapter at the back end of the launcher.
- Twist the HPA bottle clockwise into the on-off valve until it stops. Adjust the buttplate if necessary.
- Pressurize the HPA bottle to 3000 PSI Max. Turn the lever of the on-off valve to the "on" position, then cock the hammer back.
- The launcher is ready to launch once you switch from "Safe Mode" to the "Fire Mode".



### 4. HOPPER INSTALLATION

- Make sure that the feed elbow and hopper are clean and free of any sharp edges to keep your PepperBall® launcher feeding smoothly.
- Install the hopper neck into the feed elbow of your launcher and secure the hopper with the thumb screw. With the safety in safe mode, you are now ready to load your hopper with PepperBall® Projectiles.
- Fill the hopper with projectiles and turn on the EL-2™ hopper by pressing the On/Off button on the rear of the hopper.
- Turn off "Safe Mode" only when ready to shoot.





## OPERATIONAL INSTRUCTIONS

### UNLOADING LAUNCHER

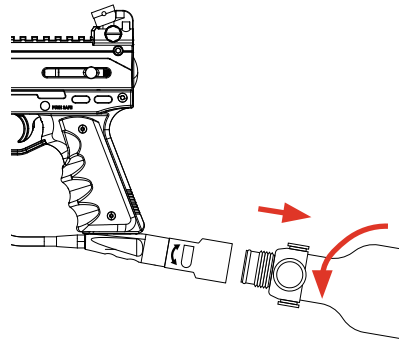
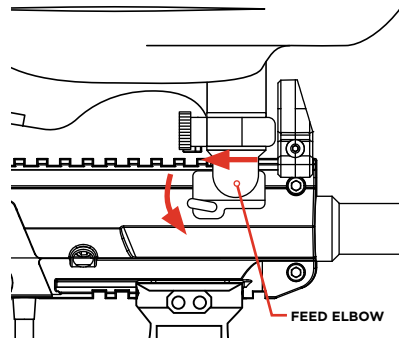
- Turn off EL-2™ hopper.
- Make sure the launcher is on the “Safe Mode” and completely empty the hopper.
- Place the on-off valve lever in the off position. While pushing down on the Feed Elbow Lever, slide the Feed Elbow to the rear to expose the chamber.
- Visually inspect the chamber and verify that all projectiles are out of the chamber and barrel.

**IMPORTANT:** Do not cock the launcher as uncocking the launcher may push a projectile into the chamber or down into the barrel. Be aware that there still may be projectiles in the Feed Elbow

### HIGH PRESSURE AIR (HPA) BOTTLE REMOVAL

- To remove a pressurized HPA bottle, place the lever of the on-off valve to the off position, turn the HPA bottle counterclockwise until it is free from the launcher. The launcher still retains pressure once the air and projectiles are removed. Point the launcher down or at a safe location.

**IMPORTANT:** Before storing or disassembling, be sure to remove all projectiles and fire the launcher in a safe direction to confirm there are no projectiles or air left in the launcher. Place the launcher in “Safe Mode.”



## CLEANING AND MAINTENANCE

### SAFETY NOTES

- Never clean a loaded or pressurized launcher.
- Remove all projectiles from the launcher prior to doing any cleaning or maintenance.
- Never use petroleum-based cleaning solvents or lubricants as they can attack the O-ring seals.
- Do not use cleaning solvents that come in aerosol cans.

### BARREL DEBRIS REMOVAL

1. If there is foreign debris or a broken projectile in the FTC™ barrel, the barrel will need to be cleaned.
2. The barrel can be unscrewed for thorough cleaning by unscrewing the barrel from the launcher.
3. Use a .68 caliber soft nylon brush, .68 caliber squeegee, or a 12 gauge patch tip with a soft cotton cloth to clean the barrel. Do not allow lubricants or water to remain in the barrel of the FTC™. It is designed to be used with the barrel dry.
4. Wipe off any dirt or grime from the outside of the FTC™ barrel with a dry cloth.

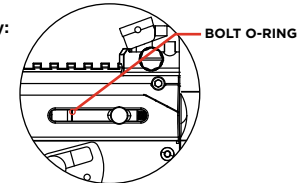
### BREACH DEBRIS REMOVAL

1. If there is foreign debris or a broken projectile in the FTC™ breach, the breach will need to be cleaned.
2. Ensure the launcher is unloaded and depressurized before removing the barrel. Then, using a dry cloth, wipe any debris out of the breach area.

### LUBRICATION

**For optimum performance, do the following monthly:**

1. Place one drop of oil on the rear bolt O-Ring.
2. Remove air bottle, place 2-3 drops of oil into air valve then reinstall bottle.



### TROUBLESHOOTING

#### PROJECTILE BREAKAGE

If you experience more than a small number of broken projectiles, check that:

1. The launcher is free of broken projectiles or any other debris.
2. Make sure the launcher is set to a reasonable velocity.

#### HPA BOTTLE AIR LEAKS

The most common leak occurs from a bad bottle O-ring, located on the tip of the HPA bottle. Remove the bad O-ring before installing a new one. The best O-rings are made of urethane and are not affected by high air-supply pressures. These may be purchased from UTS.

**NOTE:** If a new HPA bottle O-ring does not resolve the air leak, do not attempt to repair the HPA bottle. Please contact UTS.”



## WARRANTY AND DISCLAIMER

### WARRANTY, DISCLAIMER OF WARRANTY AND LIMITATION OF REMEDIES

United Tactical Systems, LLC (UTS) warrants, solely to the end user, law enforcement agencies, private security firms, or private or public corrections agencies, that the product is delivered free from defects in materials and workmanship for a period of one (1) year from the original date of purchase.

Within the one-year warranty period, UTS's liability and the buyer's sole and exclusive remedy hereunder for all claims shall be limited to a refund or credit to buyer of the purchase price, or replacement of this product, at UTS's option, provided that the non-conforming product is (1) returned during the warranty period and (2) properly packaged and shipped to UTS's designated facility in accordance with UTS's Return Merchandise Authorization (RMA) Policy.

### THE REMEDY SET FORTH ABOVE SHALL BE THE SOLE AND EXCLUSIVE REMEDY FOR BREACH OF THE FOREGOING WARRANTY.

Products which have been improperly handled, stored or shipped, or which have been subject to abuse, misuse, alteration and/or neglect are not covered by the warranty. Aftermarket products and the use of non-authorized projectiles are strictly prohibited by UTS and any indication of their installation or use shall void all warranties.

**DISCLAIMER OF WARRANTY: Except for the express limited warranty set forth above, UTS makes no warranties or representations of any kind, whether express or implied, with respect to the product, including any (a) warranty of merchantability; or (b) warranty of fitness for a particular purpose; or (c) warranty against infringement of intellectual property rights of a third-party, whether express or implied by law, course of dealing, course of performance, usage of trade or otherwise. There are no warranties which extend beyond the description of the face hereof. Buyer shall make no warranty or representation regarding the products that is inconsistent with the warranty set forth above. UTS shall not be liable for any injury, loss, or damage, direct or consequential, arising out of the use or the inability to use this product.**

**Before use**, the user shall determine the suitability of the product and be fully trained for its intended use, and user assumes all risks and liability whatsoever in connection therein. In no event shall UTS be liable or obligated to buyer or to any third party in any manner for any (a) special, non-compensatory, consequential, indirect, incidental, statutory, or punitive damages of any kind, including, without limitation, lost profits and/or lost revenue, regardless of the form of action, whether in contract, tort, negligence, strict product liability, or otherwise, even if informed of or aware of the possibility of any such damages in advance, (b) in an amount greater than the amounts paid to UTS by buyer for the products, or (c) damage or injury caused by the products, unless due to the gross negligence or willful misconduct of UTS. The limitations set forth above shall be deemed to apply to the maximum extent permitted by applicable law and notwithstanding the failure of the essential purpose of any limited remedies. The parties acknowledge and agree that they have fully considered the foregoing allocation of risk and find it reasonable, and that the foregoing limitations are an essential basis of the bargain between the parties.

## RETURN POLICY

### UTS RETURN MERCHANDISE AUTHORIZATION (RMA) POLICY

#### For warranty and non-warranty repair:

- Call UTS at 1-260-478-2500
- UTS will issue a Return Authorization (RA) number
- UTS will provide the shipment address.
- Include a brief statement regarding the requested repair, your name, your return address and a telephone number where you can be reached during normal business hours.
- CAUTION: ALWAYS UNLOAD AND REMOVE AIR SOURCE AND PROJECTILES BEFORE SHIPPING A LAUNCHER.
- CAUTION: THE AIR SOURCE MUST BE DISCHARGED.
- Please make sure that the RA number is clearly marked on the outside of the package.
- Postage and delivery charges must be pre-paid. Collect delivery charges will not be accepted.
- Products within the one-year warranty period are returned via ground shipping at no charge.
- Out-of-warranty returns require a pre-payment of shipping charges prior to return shipment by UTS.
- You may request expedited shipping at your expense with charges paid prior to return shipment.

UTS strives to complete the necessary repair work within a reasonable amount of time.

#### PepperBall® A Division of United Tactical Systems, LLC

www.pepperball.com | (858) 638-0236

28101 Ballard Drive, Suite F

Lake Forest, IL 60045







**HEADQUARTERS**

28101 Ballard Dr. Ste. F  
Lake Forest, IL 60045

**1-877-887-3773** | North America

**+1-858-228-1439** | International

**PEPPERBALL.COM**

PepperBall® is a registered trademark of United Tactical Systems, LLC,  
exclusive worldwide manufacturer and supplier of genuine PepperBall® products