



PepperBall®
SAFER OPTIONS

TACTICAL COMPACT PISTOL

TCP™

User Manual

PEPPERBALL.COM



TACTICAL COMPACT PISTOL

TCP™

WARNINGS & SAFETY PAGE 3

PISTOL PAGE 6

MAGAZINE..... PAGE 7

SAFETY OPERATION PAGE 8

LOADING PROJECTILES..... PAGE 9

ADJUSTING VELOCITYPAGE 10

OPERATIONAL CONSIDERATIONS.....PAGE 11

CLEANING & MAINTENANCEPAGE 12

WARRANTY & REPAIRS.....PAGE 13

RETURN POLICY.....PAGE 14

WARNING

THIS LAUNCHER IS NOT A TOY AND IS INTENDED FOR USE BY MILITARY, LAW ENFORCEMENT, CORRECTIONAL OFFICERS, PRIVATE SECURITY GUARDS, BAIL ENFORCEMENT AGENTS AND OTHER AUTHORIZED PERSONNEL. THIS PRODUCT LAUNCHES PROJECTILES FROM THE BARREL. MISUSE MAY CAUSE SERIOUS INJURY OR DEATH. ALWAYS MAKE SURE THAT THE TRIGGER SAFETY IS IN THE "SAFE MODE," EXCEPT WHEN THE LAUNCHER IS IN USE. SEE ADDITIONAL SAFETY GUIDELINES AND USER INSTRUCTIONS IN THIS MANUAL. KEEP OUT OF THE REACH OF CHILDREN.

WARNINGS AND SAFETY

Congratulations on your purchase of the PepperBall TCP™ Launcher.

This launcher has been designed and manufactured by United Tactical Systems, LLC (UTS) to be reliable, accurate and durable. When properly handled, the TCP™ will give many years of dependable service. Please take the time to read through this manual and become familiar with the TCP™ parts, operation, maintenance, and safety precautions before you attempt to load or fire this launcher. This manual is a supplement to the recommended PepperBall® training and should be used as a reference when performing maintenance or annual re-qualification.

By purchasing this launcher, you and your agency assume total responsibility for its safe and lawful use. You must observe the same safety precautions as you would with any firearm to ensure the safety of not only yourself, but everyone around you. The operator should use caution at all times when maintaining and firing this launcher.

LIMITATIONS AND USAGE

There are some state or local limitations on purchase, possession, and use of the TCP™. Verify local legal requirements in your state and city to ensure possession and use are proper. The user assumes the liability from unsafe or improper use or any action which constitutes a violation of any applicable law or regulation.

The TCP™ may be prohibited from certain premises, including government buildings, airports, courthouses, schools, or other public spaces. Possessing a TCP™ in a prohibited area may subject user to criminal liability.

WARNING: If misused, this PepperBall® launcher is a dangerous weapon.

The user assumes all liability from unsafe handling or any action that constitutes a violation of any applicable laws or regulations. UTS shall not be liable for personal injury, loss of property, or loss of life resulting from the use of this weapon under any circumstances, including any intentional, reckless, negligent or accidental discharges. By using this PepperBall® launcher, you release UTS of any and all liability associated with its use.

All information in this manual is subject to change without notice. UTS reserves the right to make changes and improvements to products without incurring any obligation to incorporate such improvements in products previously sold.

IF YOU DO NOT ACCEPT LIABILITY, DO NOT USE THIS OR ANY PEPPERBALL® LAUNCHER.

WARNING: This product contains chemicals known to the State of California to cause cancer and birth defects or other reproductive harm.

SAFETY IS YOUR RESPONSIBILITY!

The following safety information contains important warnings related to the proper use of the launcher, projectiles, and gas canisters. Do not load, discharge or otherwise use this launcher until you have completely read this manual and are familiar with its safety features, mechanical operation, and handling characteristics.



LAUNCHERS

- **Danger:** Never aim or shoot at the head, face, eyes, ears, throat or spine. Impact in these areas could result in unintended severe or permanent injury or death.
- **Danger:** Never look down the barrel of the launcher. Accidental discharge into the eyes may cause permanent injury or death.
- Eye, face and ear protection should be worn when utilizing this system in force-on-force training.
- Handle this launcher as if it were loaded at all times.
- Keep your finger off the trigger until ready to fire.
- Keep this launcher on "Safe Mode" until ready to fire.
- Always keep the barrel pointed down or in a safe direction.
- Never point or discharge your launcher at anything you do not intend to shoot.
- Never discharge your launcher at the personal property of others.
- Do not disassemble this launcher while it is pressurized or attempt to pressurize while it is disassembled.
- Keep exposed skin away from any escaping gas when in use and when installing or removing air supply.
- Use only PepperBall® authorized projectiles in this launcher. The use of any unauthorized projectiles in this launcher will void all warranties.
- Any unauthorized modifications to the function of this launcher will void all warranties.
- If any laser is equipped with this launcher, never point the laser directly at eyes and observe all safety warnings associated with the equipped laser.
- Always verify launcher is in "Safe Mode" and stored in a safe and secure location when not in use.
- USE CAUTION when engaging suspects beyond 20 meters as accuracy is reduced beyond that distance.

PROJECTILES

PEPPERBALL LIVE-X™ AND PEPPERBALL LIVE™ PROJECTILES

WARNING! THIS PRODUCT IS NOT A TOY! KEEP OUT OF THE REACH OF CHILDREN! MAY CAUSE IRRITATION UPON CONTACT OR INHALATION.

Read projectile label carefully before opening container or using any of its contents. Opening container indicates user has carefully read label in its entirety and accepts its provisions as the terms and conditions under which this product is furnished. THIS PRODUCT IS INTENDED SOLELY for use by properly trained users including military, law enforcement, private security, and corrections personnel.

IRRITATION: PAVA projectiles contain pepper powder and may cause irritation upon contact or inhalation.

ACTIVE INGREDIENT of PAVA-filled projectiles: Approximately 0.5% in LIVE projectiles and 5.0% in LIVE X projectiles +/- 0.02% by weight PAVA (with CAPAICIN II) Capsaicinoids 1.0% per A.S.T.A. 21.3

SAFETY

EXPOSURE:

Eye Contact: Flush eyes and other contaminated areas IMMEDIATELY with large amounts of cool water, and expose to fresh air. Contact lenses should be removed by subject or qualified medical personnel and must be discarded.

Skin Contact: Wash skin with soap and water to prevent further exposure. Flush skin with large amounts of cool water to minimize irritant effect. Wash contaminated clothing before reuse. DO NOT rub contaminated areas or apply creams, salves, oils, lotions, or burn cream, which can trap irritant on the skin.

Inhalation: If breathing is difficult, administer oxygen. If high concentrations are inhaled, immediately remove subject to fresh air. Keep person calm. If not breathing, begin artificial respiration. If breathing difficulty persists, seek medical attention.

Ingestion: Although ingestion is unlikely and not considered a potential route of exposure, individual should be treated as having an acute non-specific airway reaction by an appropriate specialist. Do not induce vomiting.

For more details on these products, please refer to the Safety Data Sheets (SDS) listed on www.pepperball.com

STORAGE AND DISPOSAL: Store in areas inaccessible to children. Do not store where temperature may exceed 150°F. Discard safely three (3) years from date of manufacture. PEPPERBALL patented products are protected by one or more of U.S. Patent Numbers 5,965,839; 6,393,992; 6,543,356; 6,546,874; 7,194,960; European Patent Number 1177409; and/or other domestic and foreign patent pending applications. For information, call (877) 887-3773 or go to www.pepperball.com.

GLASS-SHATTERING PROJECTILES

WARNING! NOT INTENDED FOR USE ON HUMANS! KEEP OUT OF THE REACH OF CHILDREN!

Glass-Shattering Projectiles should only be used for breaking automobile side windows or residential windows. These projectiles are NOT recommended to be used as anti-personnel projectiles. Projectiles should NOT be reused. Dispose of all previously launched projectiles. By opening the container and breaking the sealed cap, the agency and the user agree to abide by all manufacturer's recommendations. Discard safely six (6) years from date of manufacture.

CO₂ CARTIDGES

WARNING-CONTENTS UNDER PRESSURE Do not puncture or incinerate container. Do not expose to heat or store at temperatures above 120°F. Keep out of the reach of children.

N₂ CARTIDGES

WARNING! CONTENTS UNDER PRESSURE Do not heat over 125°F or rupture may occur. NEVER POINT TOWARDS FACE OR PERSONS NEARBY. DO NOT INHALE- FIRST AID: IF INHALED, remove to fresh air. If breathing is difficult, give oxygen and call a physician.

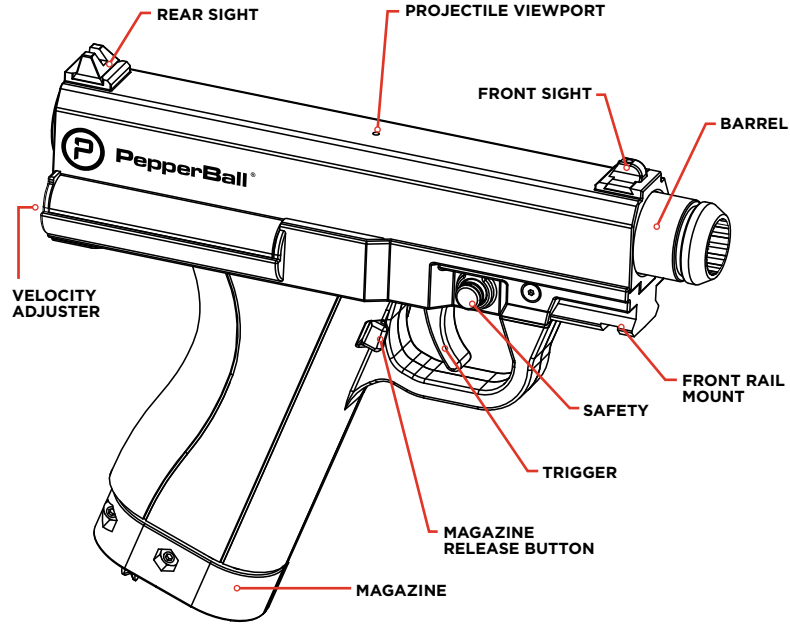
CAUTION! Pressurized with nitrogen. Intended for use in specified PepperBall launching devices only. Protect from sunlight when ambient temperature exceeds 52°C/ 125°F.

For product information, refer to the Safety Data Sheets (SDS) listed on www.pepperball.com



OPERATIONAL INSTRUCTIONS

OVERVIEW

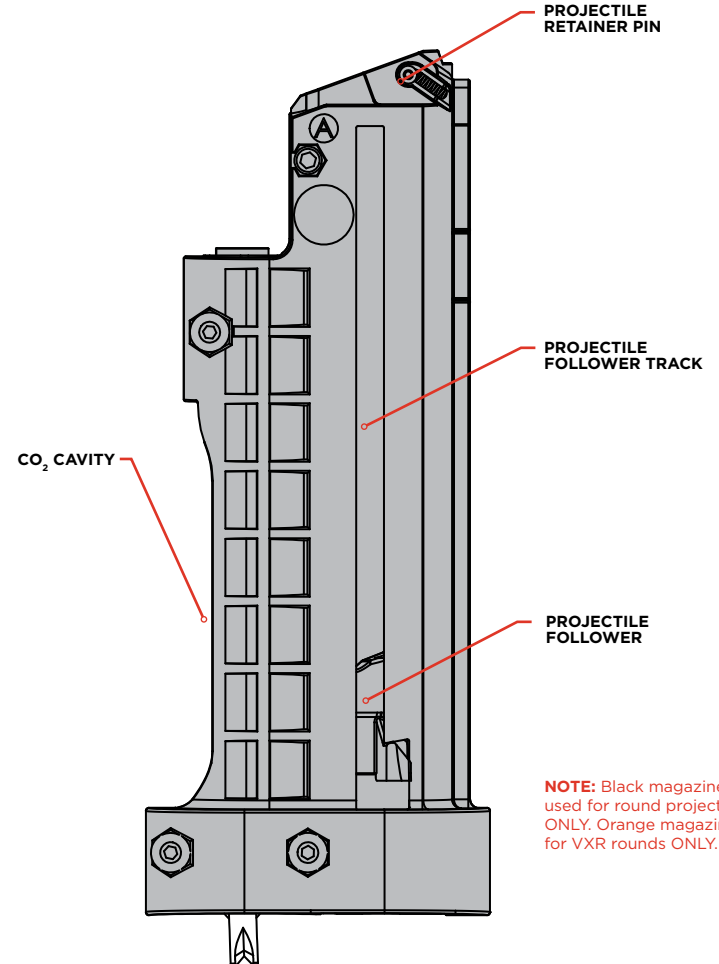


TCP™ SPECIFICATIONS

Caliber	.68	Barrel Length	5in/12.7cm
Action	Semi-auto	Weight	1.7lbs/.77kg
Power	CO ₂ or Nitrogen	Magazine Capacity	6 round; 6 VXR
Length	8in/20.3cm	Target Range Round	66 Ft/20 M
Height	6.5in/16.5cm	Target Range VXR	164 Ft/50 M

OPERATIONAL INSTRUCTIONS

MAGAZINE



NOTE: Black magazines are used for round projectiles ONLY. Orange magazines are for VXR rounds ONLY.



OPERATIONAL INSTRUCTIONS

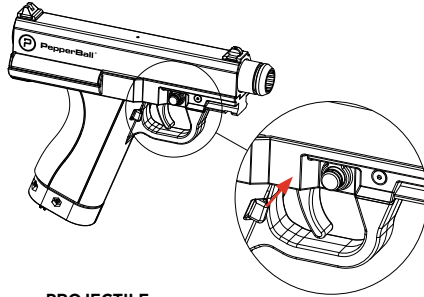
GETTING STARTED

Read this entire manual before using this launcher. Keep your launcher pointed in a safe direction at all times.

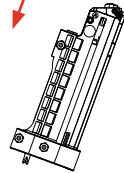
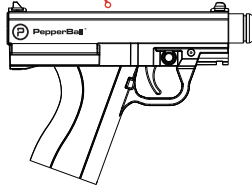
1. SAFETY - Place the TCP™ in safe mode by pushing the safety button so no red is visible.

* Visible red indicates that launcher will discharge.

2. UNLOADING MAGAZINE - Ensure there are no projectiles in the launcher by placing your hand under the magazine, pressing the magazine release, and pulling the magazine free from the TCP™. Look inside the grip of TCP™ and ensure that no projectiles remain in the chamber or barrel area. Visually inspect the projectile viewport to ensure that no projectiles are visible.



PROJECTILE VIEWPORT



3. REMOVING THE BARREL - Verify that no projectiles remain in the chamber area of the barrel by pressing on the end of the barrel and turning counterclockwise. The barrel can then be removed by pulling it out of the receiver. Note the channel in the barrel and the barrel lock in the receiver as it slides free. To reattach the barrel, align the channel with the barrel lock, slide the barrel back into the receiver, push on the end of the barrel, and turn clockwise until the barrel locks into place. Pull on the end of the barrel to ensure it is properly seated.



* Magazine must be removed before barrel removal

OPERATIONAL INSTRUCTIONS

4. LOAD PROJECTILES - Insert a maximum of 6 PepperBall® projectiles into the magazine from the top (Diagram 1). The projectiles will be held in place automatically by the projectile retainer pin. You can also lock the Projectile Follower in the down position by pulling down on the Projectile Follower ears. VXR projectiles must be oriented as shown in the illustration. (Diagram 2)

5. LOADING CO₂ CARTRIDGE - Obtain an 8 gram CO₂ cartridge. Insert the CO₂ cartridge into the CO₂ slot of the magazine with the small end of the CO₂ cartridge pointing up and into the puncture pin of the magazine (Diagram 3)

6. SEALING THE CO₂ CARTRIDGE - If the TCP™ will be used immediately, place the magazine into the TCP™ and seat it fully. Pull down the Flip Knob Base Screw (Diagram 4) and turn clockwise until the small end of CO₂ cartridge just touches the puncture pin. Then, quickly turn the flip knob clockwise until the cartridge is punctured and sealed. Ensure that no CO₂ gas is escaping from the puncture pin area.

7. STAGING - If the TCP™ will not be used immediately and is only being staged for future use, tighten the flip knob base screw until the small end of the CO₂ cartridge just touches the puncture pin. Be sure the pin does NOT puncture the CO₂ cartridge.

LOAD PROJECTILE

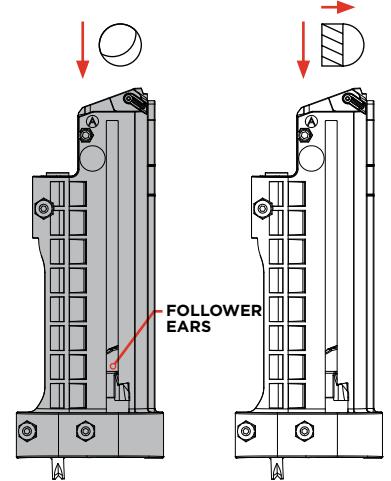


Diagram 1

Diagram 2

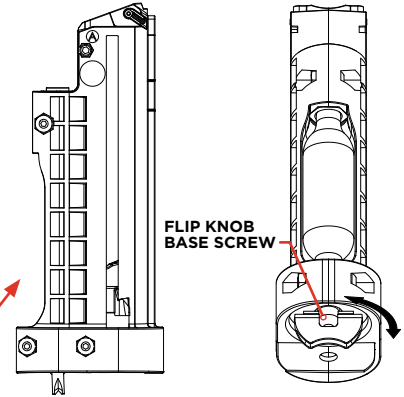


Diagram 3

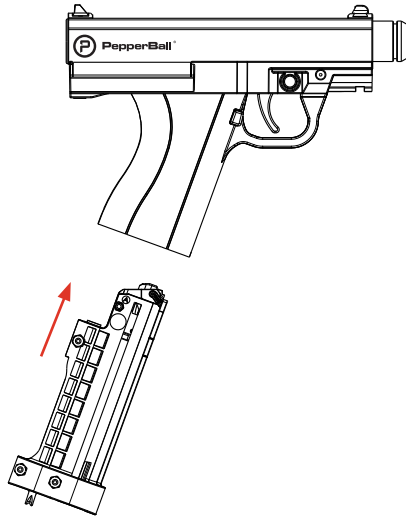
Diagram 4



OPERATIONAL INSTRUCTIONS

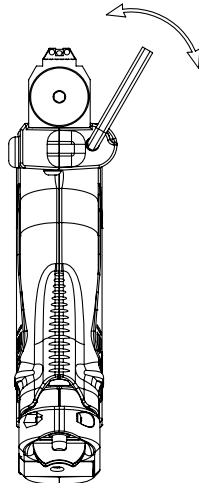
8. LOAD MAGAZINE - Place the magazine in the grip of the TCP™ as illustrated below. Once the magazine has started into the grip seat, continue to insert the magazine until it is secured by the magazine catch. Follow the steps outlined for immediate use in step 6 of Getting Started.

NOTE: If magazine does not lock on first insertion, remove it **completely** and reinsert.



SET VELOCITY

1. Insert provided 3/16" hex wrench as depicted.
2. To increase velocity, turn clockwise. To decrease velocity, turn counterclockwise.
3. Fire once to clear chamber after each adjustment, then measure velocity of the second shot.



OPERATIONAL INSTRUCTIONS

OPERATIONAL CONSIDERATIONS

- If the CO₂ or N₂ cartridge is punctured in a magazine, it should be replaced if the TCP™ is not used within 24 hours.
- Operational temperature range for the TCP Launcher:
 - CO₂ (37°F to 120°F)
 - N₂ (-15°F to 140°F)
- The target zone for the TCP™ launcher is the same as other PepperBall® launchers. Users can use a center of mass aiming point with the TCP™ launcher. This allows users to target the same zone as they do when using lethal firearms. Users do not need to change their point of aim when using the PepperBall® system.
- Users of the TCP™ launcher can also specifically target the hands, feet, and legs for additional opportunities to gain compliance. The user should always avoid targeting the eyes, face, throat, or spine. Users should always follow department guidelines, training guidelines and policies when using this or any other launcher.
- Use the projectile viewport to ensure a projectile is loaded in the TCP™ launcher prior to operational use.
- The PepperBall® TCP™ launcher should only be used by users trained in its use and operation.

PepperBall® recommends that all operators receive training in the proper use of this or any PepperBall® launcher system prior to its deployment. For a list of upcoming PepperBall® training courses, please visit www.PepperBall.com or call 1-877-887-3773



SAFETY NOTES

- Never clean a loaded or pressurized launcher.
- Remove all projectiles from the launcher prior to doing any cleaning or maintenance.
- Never use petroleum-based cleaning solvents or lubricants as they can attack the O-ring seals.
- Do not use cleaning solvents that come in aerosol cans.

BARREL DEBRIS REMOVAL

1. If there is foreign debris or a broken projectile in the TCP™ barrel, the barrel will need to be cleaned.
2. Ensure the TCP™ is in “Safe Mode” and remove barrel as outlined on page 8.
3. Use a .68 caliber soft nylon brush, .68 caliber squeegee, or a 12 gauge patch tip with a soft cotton cloth to clean the barrel. Do not allow lubricants or water to remain in the barrel of the TCP™. It is designed to be used with the barrel dry.
4. Wipe off any dirt or grime from the outside of the TCP™ barrel with a dry cloth.

BREACH DEBRIS REMOVAL

1. If there is foreign debris or a broken projectile in the TCP™ breach, the breach will need to be cleaned.
2. Ensure the launcher is unloaded and depressurized before removing the barrel. Then, using a dry cloth, wipe any debris out of the breach area.

TROUBLESHOOTING

PROJECTILE BREAKAGE

If you experience more than a small number of broken projectiles, check that:

1. The launcher is free of broken projectiles or any other debris.
2. Make sure the launcher is set to a reasonable velocity.

WARRANTY AND DISCLAIMER

WARRANTY, DISCLAIMER OF WARRANTY AND LIMITATION OF REMEDIES

United Tactical Systems, LLC (UTS) warrants, solely to the end user, law enforcement agencies, private security firms, or private or public corrections agencies, that the product is delivered free from defects in materials and workmanship for a period of one (1) year from the original date of purchase.

Within the one-year warranty period, UTS's liability and the buyer's sole and exclusive remedy hereunder for all claims shall be limited to a refund or credit to buyer of the purchase price, or replacement of this product, at UTS's option, provided that the non-conforming product is (1) returned during the warranty period and (2) properly packaged and shipped to UTS's designated facility in accordance with UTS's Return Merchandise Authorization (RMA) Policy.

THE REMEDY SET FORTH ABOVE SHALL BE THE SOLE AND EXCLUSIVE REMEDY FOR BREACH OF THE FOREGOING WARRANTY.

Products which have been improperly handled, stored or shipped, or which have been subject to abuse, misuse, alteration and/or neglect are not covered by the warranty. Aftermarket products and the use of non-authorized projectiles are strictly prohibited by UTS and any indication of their installation or use shall void all warranties.

DISCLAIMER OF WARRANTY: Except for the express limited warranty set forth above, UTS makes no warranties or representations of any kind, whether express or implied, with respect to the product, including any (a) warranty of merchantability; or (b) warranty of fitness for a particular purpose; or (c) warranty against infringement of intellectual property rights of a third-party, whether express or implied by law, course of dealing, course of performance, usage of trade or otherwise. There are no warranties which extend beyond the description of the face hereof. Buyer shall make no warranty or representation regarding the products that is inconsistent with the warranty set forth above. UTS shall not be liable for any injury, loss, or damage, direct or consequential, arising out of the use or the inability to use this product.

Before use, the user shall determine the suitability of the product and be fully trained for its intended use, and user assumes all risks and liability whatsoever in connection therein. In no event shall UTS be liable or obligated to buyer or to any third party in any manner for any (a) special, non-compensatory, consequential, indirect, incidental, statutory, or punitive damages of any kind, including, without limitation, lost profits and/or lost revenue, regardless of the form of action, whether in contract, tort, negligence, strict product liability, or otherwise, even if informed of or aware of the possibility of any such damages in advance, (b) in an amount greater than the amounts paid to UTS by buyer for the products, or (c) damage or injury caused by the products, unless due to the gross negligence or willful misconduct of UTS. The limitations set forth above shall be deemed to apply to the maximum extent permitted by applicable law and notwithstanding the failure of the essential purpose of any limited remedies. The parties acknowledge and agree that they have fully considered the foregoing allocation of risk and find it reasonable, and that the foregoing limitations are an essential basis of the bargain between the parties.



HEADQUARTERS

28101 Ballard Dr. Ste. F
Lake Forest, IL 60045

1-877-887-3773 | North America

+1-858-228-1439 | International

PEPPERBALL.COM

PepperBall® is a registered trademark of United Tactical Systems, LLC,
exclusive worldwide manufacturer and supplier of genuine PepperBall® products